

Finally venue operators can provide patrons, in every row of their facility, equivalent comfort of the highest standard with Forte. Forte Compact has identical ergonomic contouring and cushioning support as Forte, however is miraculously able to fold down to 150mm (6") envelope for retractable platforms. Never before has a chair with this level of contouring and support been able to achieve such a feat.

Forte also provides operators with additional seating locations through its unique beam mounting system, where seat modules mount independent of the bracket attachment to sub-structure.

Maintenance is made easy with the chair's toggle locking system to beam, and Camatic's patented cushion removal system in both seat and backrest.

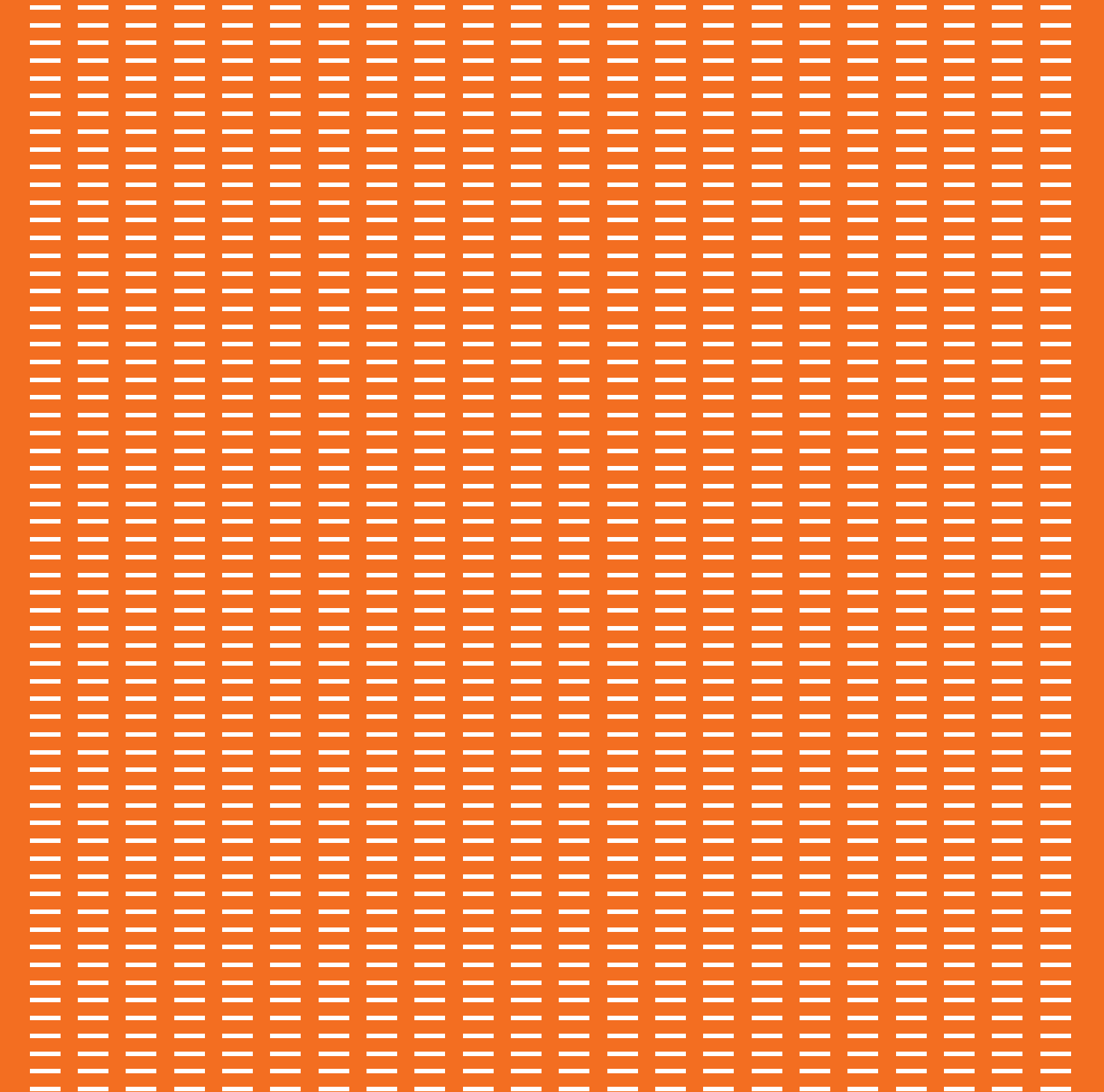
Australia
Head Office & Manufacturing
Camatic Pty Ltd
93 Lewis Road
Wantirna South
Victoria 3152 Australia
Telephone: 61 3 9837 7777
Facsimile: 61 3 9837 7700
Email: sales@camatic.com
www.camatic.com

Representation
Australasia
South East Asia
North America
Europe
Middle East
CIS

USA
Camatic Seating Inc
1010 West Eules Blvd
Suite 110, Eules
TX 76040 USA
Telephone: 1 682 503 5317
Facsimile: 1 817 633 2190

C A M A T I C

Forte™



Camatic Seating is committed to helping the environment and uses recycled materials on non-structural components. Camatic Seating reserves the right to vary specifications without notice. All dimensions are nominal and should be confirmed with Camatic Seating.

All Camatic Seating products are designed, developed and built in-house by a team of professionals renowned for quality, leading edge technology and seamless installations around the world. From the Sydney Opera House to cinemas across the Americas, Camatic Seating puts audiences in designer comfort.

Forte and Forte Compact give venue operators the ability to provide the highest standards of comfort at all seats in their facility. Available as Freestanding Floor Seating, Extremely Compact Retractable Seating, Fixed and Removable Seating, Forte has solutions for every location in any facility.

Reconfiguration of Forte seats is easy with Camatic's patented beam mounting and toggle locking system that has proven to improve venue capacity by up to 3%. Maintenance is also made quick and easy with the patented cushion removal system.

Molded polyurethane foam

The specifically formulated polyurethane foam used to individually mold seats and backrest cushions provides the proper balance between support and comfort. The inherent quality of the process ensures the foam will not collapse or flatten out at any stage but provide lasting comfort and ergonomic support.

Removable seat and backrest cushions

Seats and backrest cushions are easily removed by venue staff in cases of spillage, stains or willful damage by a patented snap lock toggle system.

Coil spring tipping mechanism

Forte uses two multi coil springs to ensure the seat will always return to its unoccupied position. The material ensures there will be no reduction in performance through corrosion, while the number of coil winds means the spring does very little work in performing its task. When springs are required for seat return this is the best possible design available.

Mounting system

Forte's beam mounting system enables mounting bracket positioning at infinite locations along a row, eliminating loss of seating locations due to expansion joints, angle changes or step interference.

Easy installation

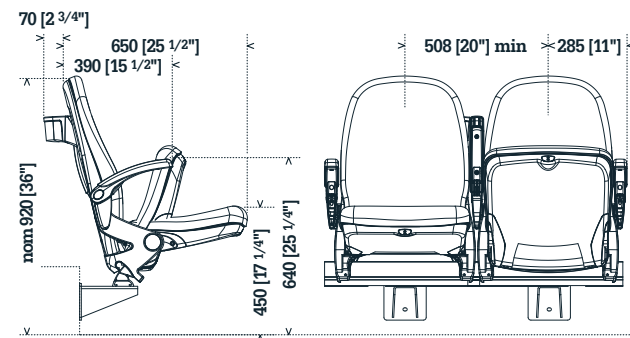
Once the beam system is installed, seats delivered to site fully assembled are quickly and easily located into position, and locked by the rotation of two vandal-proof toggles.

Use of recycled plastics

In an effort to minimize the effect on the environment, recycled plastics are used in the molding of non structural components, such as seat and backrest upholstery inners. All plastic components bear the recycling code identification marking, compliant with worldwide recycling standards.

Forte (Standad / Slimline)

Forte provides the sports enthusiast with hours of long term comfort. The ergonomic contours of the molded seat and backrest cushions enhance the contemporary styling of this chair. Lift-up arms are standard on all chairs, while cup-holders can be fitted to the armrest or rear of chair in front (back mounted). Forte Slimline's thinner back rest cushion, provides patrons with increased legroom when back to back spacing is limited.



Forte Standard

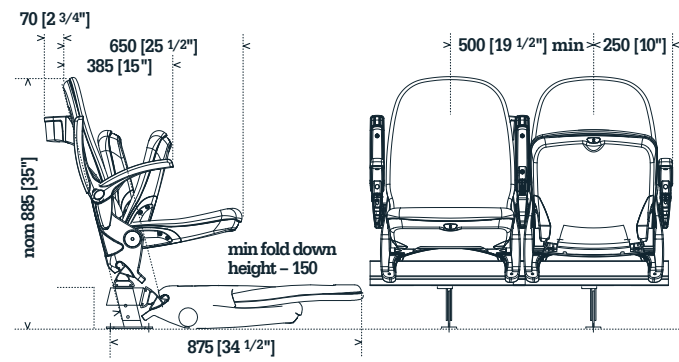


Forte Slimline



Forte Compact

Forte Compact provides patrons nearest to the action with exceptional comfort whilst in use, and offers the ability to fold down to (150mm) 6" envelope for retractable flooring systems. The contouring of this slim line chair offers equivalent comfort to that of a standard Forte chair, meaning spectators in the premium areas are also in the best seats not just the best location. Forte Compact can be used to improve access/egress along rows, while its similar styling enables it to be used alongside Forte.



Step 1



Step 2

Folds to within 150mm (6") off the floor.



Forte Features

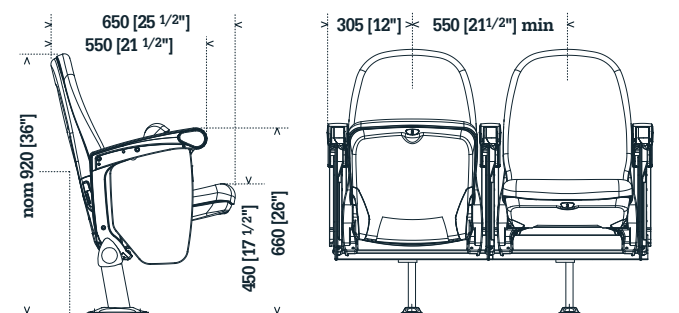
	Standard	Slimline	Compact	JOT
Increased venue capacity – guaranteed	•	•	•	•
Beam mounting provides for future upgrades and/or reconfiguration	•	•	•	•
Tread, riser, removable and free standing mounting systems	•	•	•	•
Fold down to 150mm [6"] for retractable platforms	•	•	•	•
Ergonomic profile offers enduring comfort	•	•	•	•
Removable cushion system – seat & backrest	•	•	•	•
Individually molded polyurethane seat and backrest cushions	•	•	•	•
Multi coil pivot springs	•	•	•	•
Plastic armrest (lift-up)	•	•	•	•
Quickly installed with beam and toggle locking system	•	•	•	•
Designed to exceed requirements of ASTM & EN12727 standards	•	•	•	•

Options

	Standard	Slimline	Compact	JOT
Seat numbers	•	•	•	•
Row end ID plates	•	•	•	•
Row end panels with optional logo insert	•	•	•	•
Aisle lighting [LED]	•	•	•	•
Locking of lift-up armrest	•	•	•	•
Upholstered armrest pad	•	•	•	•
Easy access lift-up arms at row ends (ADA compliance)	•	•	•	•
Writing tablet [vandal-proof surface with anti-panic deployment]	•	•	•	•
Removable system – 1,2,3 & 4 seat units	•	•	•	•
Fold-down system – 1,2,3 & 4 seat units	•	•	•	•

Forte/JOT

Forte/JOT are the ideal solution when one needs to work while seated. For Press, Conference and Educational purposes the writing surface of JOT provides the user with a large A3 area of extremely durable material. Whilst the chairs contoured cushions provide long term comfort, the tablet's anti panic deployment system automatically returns the table to its home position when the user stands.



Forte™