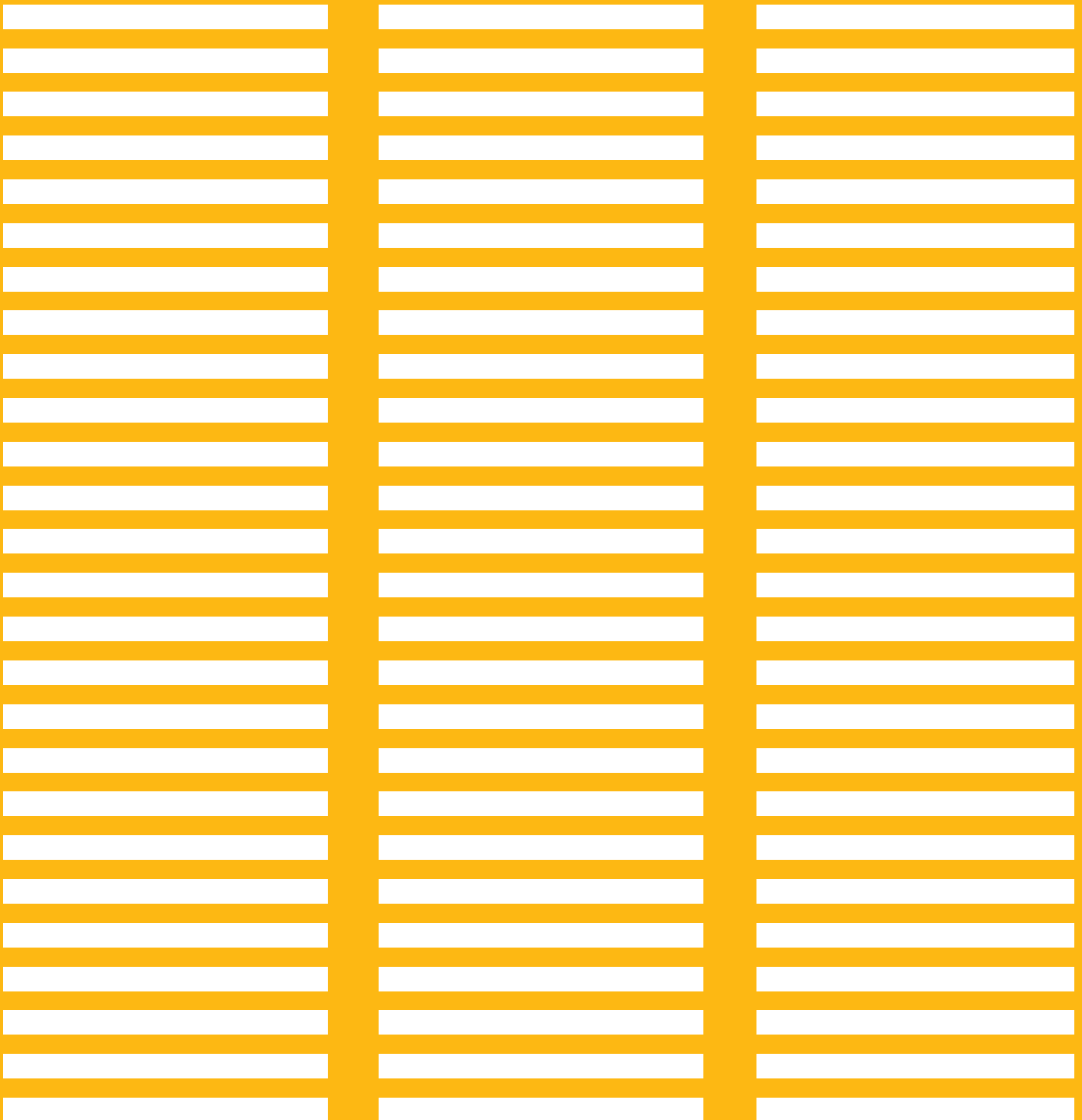


# Quantum Education™



**The Quantum Education seating system provides a glimpse into the future with an intelligent approach to maximizing capacity, comfort and durability.**

**Designed in consultation with leading ergonomists, Quantum Education is arguably the most comfortable seat of its kind in existence.**

**Quantum Education patented beam mount system is a design revolution. Seats are evenly spaced in every row, and can be easily added, removed or re-spaced, as events require.**

**And the low maintenance requirements make the Quantum Education extremely popular with learning institutions around the world.**

**Quantum Education is the seat of choice in universities and schools both locally and around the globe. This popular chair is not only design and aesthetically conscious but durable and easy to maintain.**

**Camatic Seating's global experience in design, logistics and installation ensures hours of student comfort. It is available in three back heights and features Camatic Seating's silent gravity tilt seat, removable upholstery, and optional arms and tablets.**

#### Universal options

The following options are available on all Quantum chairs:

- Armrests – single (shared) or double
- ADA access armrests
- Row end panel armrests
- Cup holders

#### Mounting system

The Quantum Education beam mount system enables bracket positioning at infinite locations along a row, thereby eliminating any loss of seating numbers due to expansion joints, angle changes or step interference.

#### Seat configuration

Quantum Education seats are installed at uniform centres along the corrosion resistant aluminium beam by two vandal proof locking toggles.

#### Gravity tilt seats

The innovative gravity tilt seats, using fully enclosed counterweights, are silent and reliable. A ¾ pushback mechanism ensures easy access for patrons.

#### Removable upholstery

When fitted, seat and back pads are fixed in five locations. These can be removed by unlocking a single vandal-proof fixing.

#### Easy installation

Once the Quantum Education beam system is installed, seats are delivered fully assembled and are quickly and easily inserted into position.

#### Quantum Education Features

	770	850	960
Increased venue capacity – guaranteed	•	•	•
Advanced ergonomic profile offers enduring comfort	•	•	•
Gravity tilt seat – silent and reliable, with zero maintenance	•	•	•
All mechanisms fully enclosed ensuring safety	•	•	•
Beam mounting provides for future upgrades and/or reconfiguration	•	•	•
Tread, riser, removable and free standing mounting systems	•	•	•
Fold down system for retractable platforms	•	•	
Stacking/linking – single, two seat and four seat modules			
Upholstery pads options supplied initially or upgraded later	•	•	•
Quickly installed with beam and toggle locking system	•	•	•
Certified to ASTM and En 12727 standards	•	•	

#### Upholstery Options

Bare plastic with textured seating surfaces (anti-static)	•	•	
Seat only pad	•	•	
Seat and backrest pads	•	•	•
Easily removable seat and backrest pads via a single vandal proof fixing	•	•	•

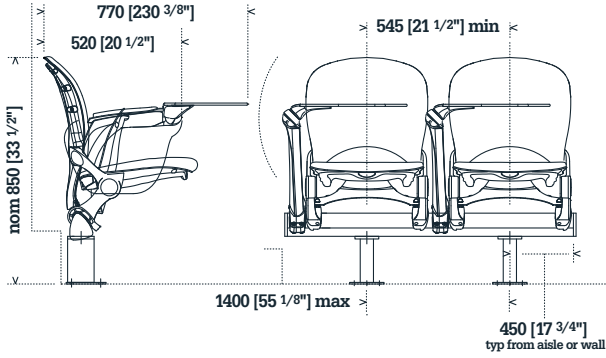
#### Options

Range of standard colours or custom colours available (minimum applies)	•	•	•
Seat numbers	•	•	•
Seat numbering to outer backrest – assists ushers in finding locations	•	•	
Row identification	•	•	•
Aisle light	•	•	•
Cup holders	•	•	•
Fixed armrests	•	•	•
ADA retracting armrests	•	•	•
Row end filigree armrests	•	•	•
Interactive video armrest	•	•	•
Writing/press tables – notebook tablet (single action anti-panic deployment)	•	•	•
Writing/press tables – D2 tablet (2 actions of deployment)	•	•	•
Writing/press tables – lectra tablet (pedestal folding)	•	•	•
Power and data management D2	•	•	•
Power and data management lectra	•	•	•
Removable system – single and two seat units	•	•	•
Fold-down system – 1, 2, 3 and 4 seat units	•	•	

# Quantum Education™

### Quantum 850 Notebook

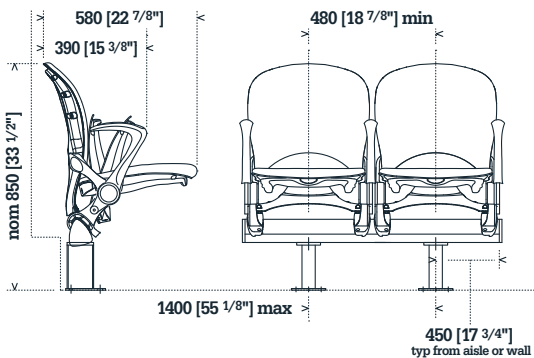
The Notebook writing tablet is almost unbreakable due to the strength and rigidity of its solid core and tamper resistant fixings. It is A3 size to easily accommodate a laptop computer and is suitable for both left and right hand use. A patented knuckle system provides a singular plane of free-flowing movement and the anti-panic feature enables the tablet to fall away in an emergency.



### Quantum 850 Upholstered

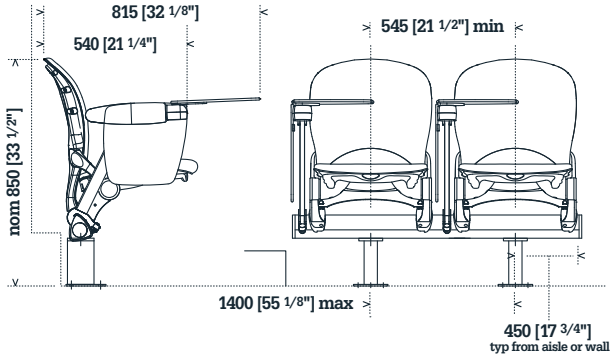
The Quantum 850 Upholstered range provides a more refined seating solution for auditoriums and lecture theatres. With cushioned, tamper resistant upholstery and a robust ergonomic design, it offers a superior level of comfort and style.

Venue operators will appreciate the many low maintenance design elements and flexibility of configuration options. Single and double armrests and writing tablet arms are also available.



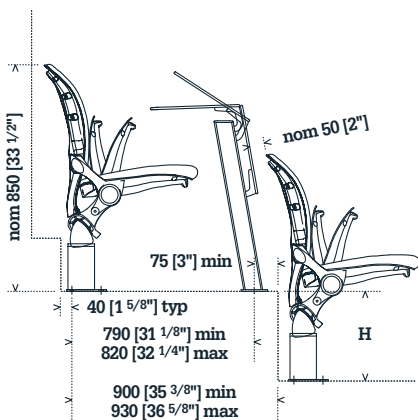
**Quantum 850 D2**

The combination of Quantum seating with this tablet is the best alternative for budget conscious venue operators. It is robust and simple in its design, with a dual stow motion. The pivot body is made of composite material and a phenolic laminate on the writing tablet provides a tough, scratch resistant surface.



**Quantum 850 Lectra**

The Lectra tablet is a perfect addition to the Quantum seating system in venues offering extended legroom. The tablet is fixed in front of the patron and features an extruded aluminium pedestal frame. It lifts and lowers in a dual stow motion to maximise egress. The scratch resistant phenolic laminate surface and folding mechanism ensures the tablet is low maintenance and highly durable.



**Australia**

Head Office & Manufacturing  
Camatic Pty Ltd  
93 Lewis Road  
Wantirna South  
Victoria 3152 Australia  
Telephone: 61 3 9837 7777  
Facsimile: 61 3 9837 7700  
Email: sales@camatic.com  
www.camatic.com

**USA**

Camatic Seating Inc  
1010 West Eules Blvd  
Suite 110, Eules  
TX 76040 USA  
Telephone: 1 682 503 5317  
Facsimile: 1 817 633 2190

# CAMATIC

**Representation**

Australasia  
South East Asia  
North America  
Europe  
Middle East  
CIS